

6mm Spur Gear

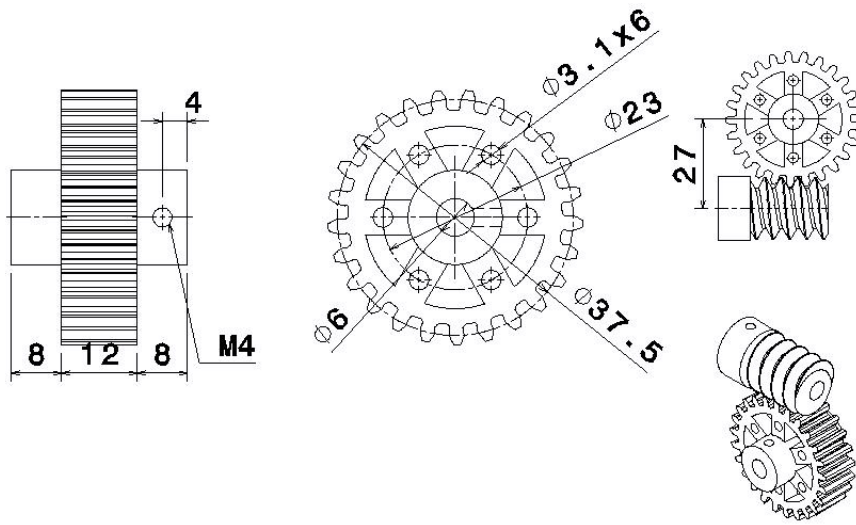
Spur Gear

This Spur Gear made up of Nylon is tough and has good pressure ratings. The spur can be used along with the worm gear to increase torque. This Spur gear when used in combination with the worm gear has a center distance of 27mm in between them and the gear ratio is 1:25.



Specifications:

- 1) No. of Teeth =25.
- 2) Diameter=40 mm.
- 3) Center Shaft Diameter=6mm.
- 4) Teeth Face Width=12.5mm..



Specifications:

- 1) Module=1.5mm
- 2) No. of Teeth =25
- 3) Center Shaft Dia.=6mm
- 4) Teeth Face Width=12.5mm
- 5) Pitch Circle Dia.=37.5mm

All dimensions are in mm.

www.brainzstore.com